



# Conveying Accessories

Station T Valves: 1.5-4" (40-100 mm)  
 Lances: 1.5-4" (40-100mm)  
 External Line Valves: 1.5-4" (40-100 mm)  
 External Proportioning Valves: 1.5-4" (40-100 mm)

## Station T Valves

Heavy duty aluminum construction with air-actuated positive-sealing disc. Indicator cap on shaft helps identify mal-functioning station 24. VDC or 115 VAC Models.

Inlet/Outlet Diameter in/mm	1.5/40	2.0/50	2.5/65	3.0/75	4.0/100
--------------------------------	--------	--------	--------	--------	---------

NOTE: One Station T is required for each VR Series receiver in a vacuum conveying system.



Station T Valves 1.5" to 4" O.D.

## Lances

Used to remove material from bulk containers. Available in aluminum or stainless steel.

Lance O.D. in/mm	1.5/40	2.0/50	2.5/65	3.0/75	4.0/100
---------------------	--------	--------	--------	--------	---------



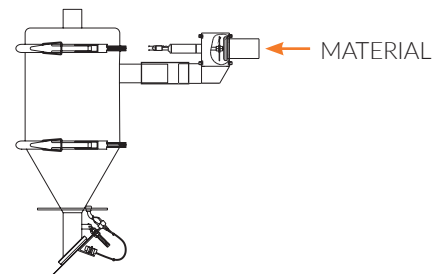
Pick-up lance with adjustable air-flow, 1.5" to 4" O.D.

## ELV- External Line Valve (Includes coupler)

Provides in-line control of vacuum material flow. ELV is used as a positive vacuum seal at the receiver inlet when not moving material, typically in common material line conveying systems. Available in 24 VDC or 115 VAC models.



ELV-20-24

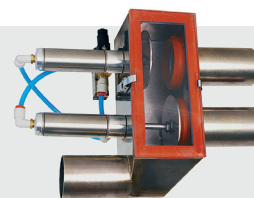


## EPV- External Proportioning Valve (Includes coupler)

External proportioning valves are used as a material line selector at the receiver inlet, typically in regrind proportioning applications. The EPV can also be used for purging material lines to prevent build-up and plugging of the material lines. Heavy duty Stainless Steel construction with air-actuated positive sealing disc(s) is suitable for applications up to 350° F (170° C). Easily view the interior through a thick polycarbonate window. Quick release latches allow easy, no-tools clean out.

Available in 24 VDC or 115 VAC models.

Separate, mini-PLC controls are also available to add proportioning or purge to existing control systems.



EPV-25



Proportioning Loading Control with Blowback

**Specifications:**

24 VDC Models	EPV-15-24		EPV-20-24		EPV-25-24		EPV-30-24		EPV-40-24	
115/1/60 Models	EPV-15-11		EPV-20-11		EPV-25-11		EPV-30-11		EPV-40-11	
Dimensions	in	cm	in	cm	in	cm	in	cm	in	cm
<b>Inlet/Outlet O.D.</b>	1.5	3.85	2	5.1	2.5	6.35	3	7.6	4	10.16
<b>A - Height</b>	7	17.8	8.5	21.6	11.38	28.9	11.38	28.9	14.75	37.5
<b>B - Width</b>	3.25	8.26	3.75	9.53	4.75	12.07	4.75	12.07	5.75	14.61
<b>C - Length</b>	9.94	25.25	9.94	25.25	10.69	27.15	12.25	31.1	13.19	33.5
<b>D - Inlets C-C</b>	2.75	7	3.25	8.26	4.19	10.64	4.19	10.64	5.25	13.34
<b>E - Inlet Length</b>	3.69	9.37	3.69	9.37	4.44	11.28	4.5	11.43	4.44	11.28
<b>F - Outlet Length</b>	3	7.62	3	7.62	3	7.62	3.5	8.89	4.5	11.4



Filter Purge Screens Available for all Sizes of EPV

Note: Compressed air consumption: 0.2 ft<sup>3</sup>/min at 80 psi (0.3 m<sup>3</sup>/hr at 5.5 bars)

**Accessories:** (Shipped separately. Show as separate line item on order.)

**Filter Purge Screen:** Enables EPV to function as an external purge valve. 1.5", 2.0", 2.5", 3.0", 4.0"

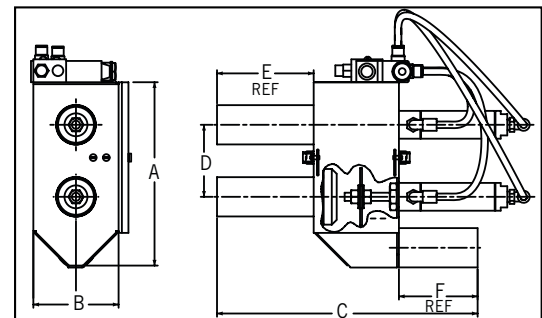
**Proportioning Valve Control:** 24VDC, 115/1/60

Note: Requires connection to 24VDC (or 115 if using 115V) power at the receiver or loader, plus load signal.

**DeviceNet Cable(s):** In lieu of standard cable(s) 24VDC

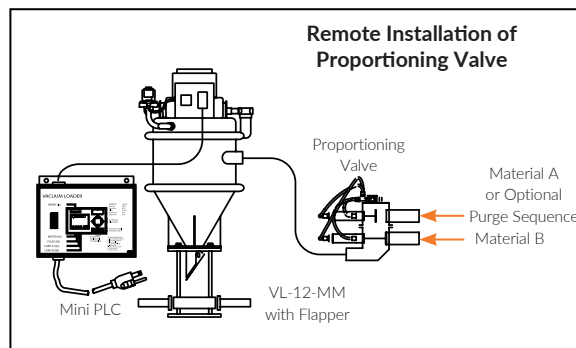
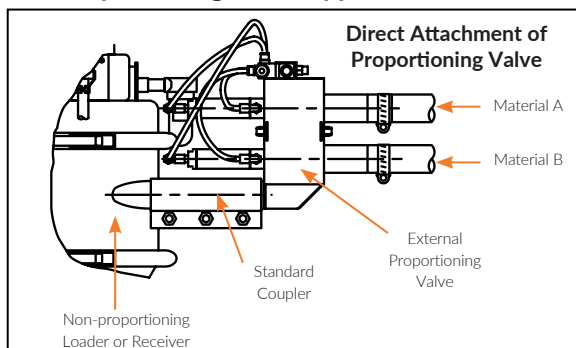
**Pneumatics Solenoid Assembly Kit:**

In lieu of Standard SMC, 24 VDC Valve

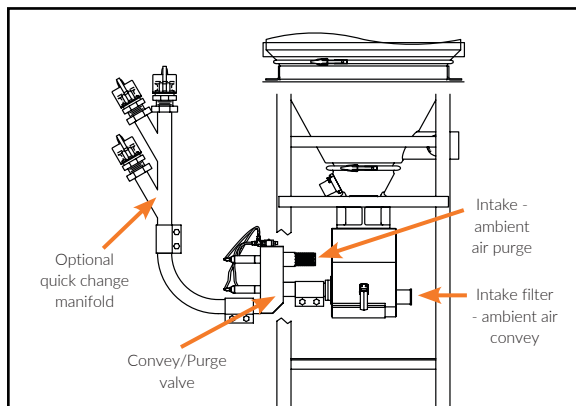


EPV Drawing

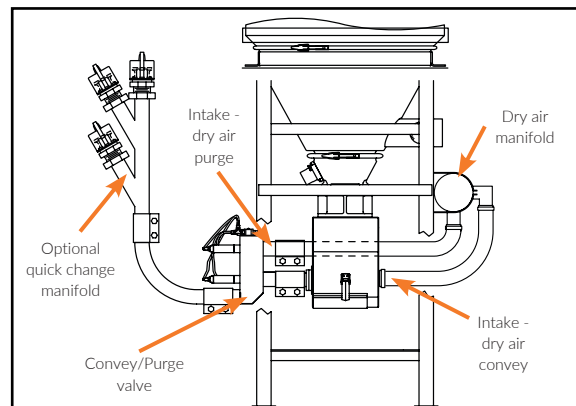
**External Proportioning Valve Application:**



**Convey/Purge Valve Application:**



Configured to convey resin and purge material lines with ambient air.



Configured to convey resin and purge material lines with dry air taken from dry air manifold.