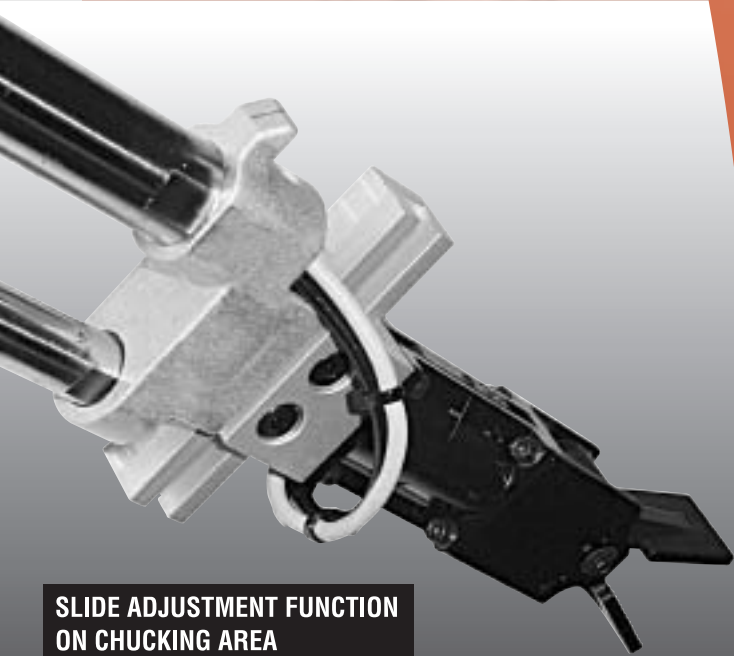


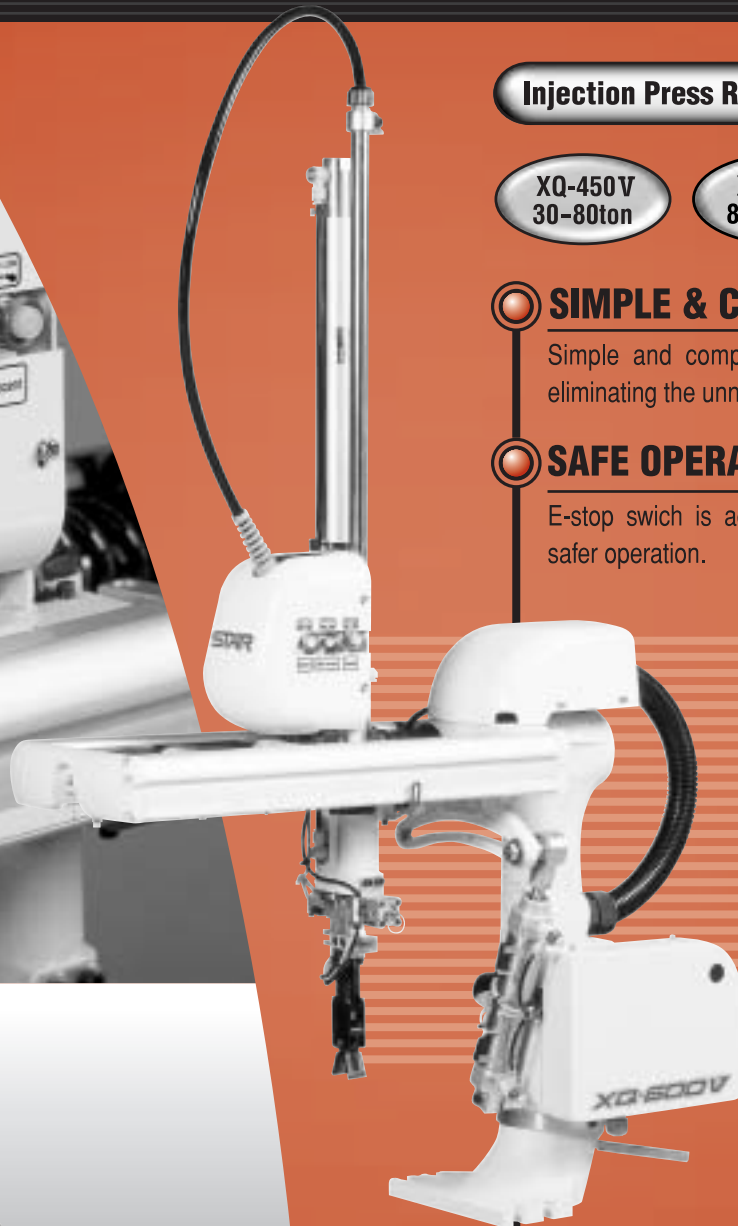
XQ·V series



CROSSWISE UNIT W/SCALE



SLIDE ADJUSTMENT FUNCTION ON CHUCKING AREA



Injection Press Range

XQ-450V
30-80ton

XQ-600V
80-180ton

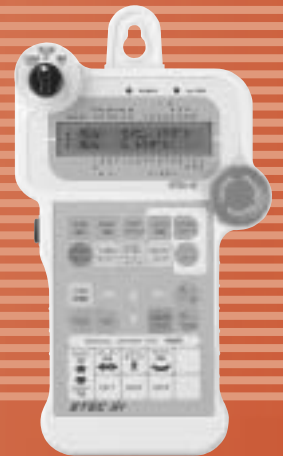
XQ-800V
160-350ton

SIMPLE & COMPACT DESIGN

Simple and compact sprue picker is realized by eliminating the unnecessary wirings/pipings.

SAFE OPERATION

E-stop switch is adopted on operation pendant for safer operation.



STEC-S1

BILINGUAL

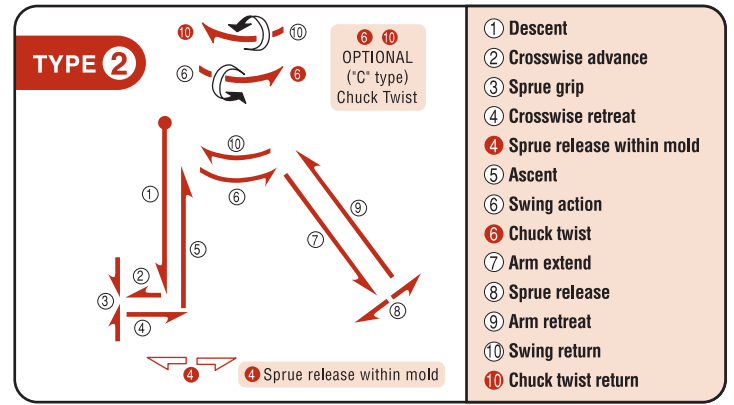
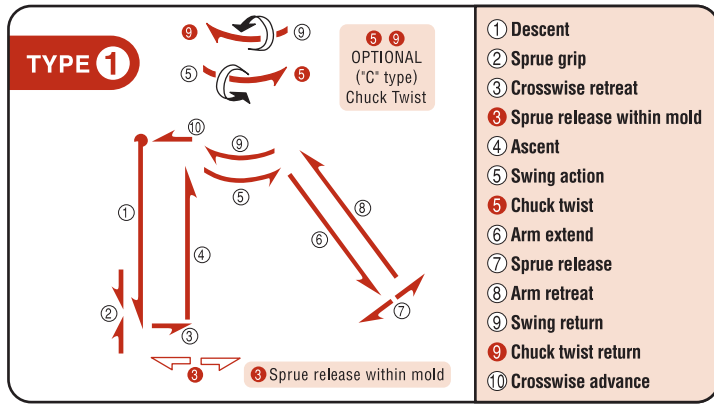
English/Japanese displays can be selected on operation pendant.

MOLD CHANGE MEMORY

Memory for up to 15 different molds is possible.

CHANGE OF RELEASE SIDE IS EASY

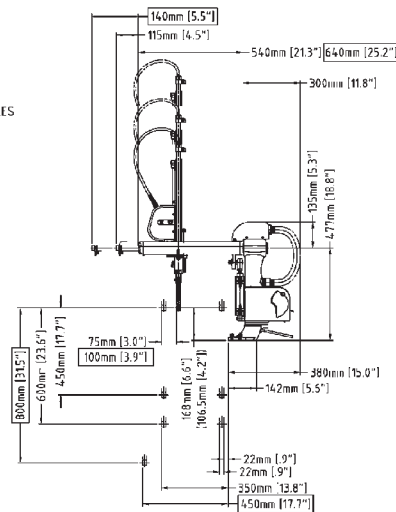
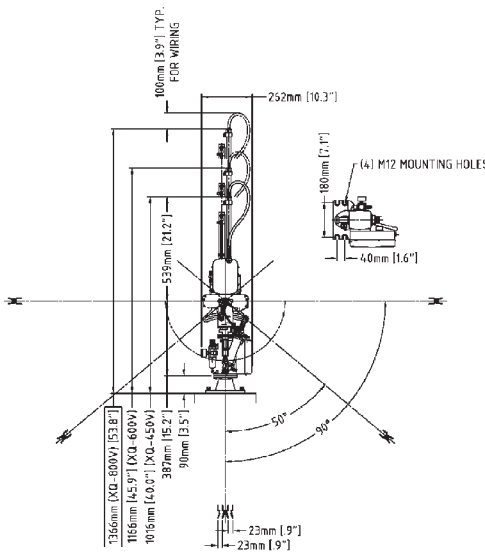
● **MOTION PATTERN**



● **GENERAL SPECIFICATIONS**

MODEL	XQ-450V	XQ-600V	XQ-800V
Power Source	200~575 VAC 60Hz		
Max Power Consumption	0.3A 200V MAX		
Air Pressure	0.49MPa		
Air Consumption	7.4N ℓ /cycle	9.0N ℓ /cycle	10.8N ℓ /cycle
Stroke	Vertical (Air)	450mm	600mm
	Crosswise (Air)	75mm	
	Swing (Air)	50°-90°	
Max Reach	Max.350mm		Max.450mm
Vertical Standby Position	168mm		
Max Loading Capacity	2 kg		
Control Box	STEC-S1		

● **OUTER DIMENSIONS**



□ DIMENSIONS FOR XQ-800V
[] "C" TYPE MODELS WITH WRIST

● **OPTIONAL FUNCTION**

- Vacuum confirmation unit
- Air nipper in chuck
- Defective product reject circuit
- Chuck twist (C type)
- Special paint color

● All stated here is subject to change without advance notice.



Plastec U.S.A. Incorporated
7752 N.W. 74th Avenue, Miami, FL 33166
Tel.: (305) 887-6920

plastec@plastecusa.com
www.plastecusa.com