

Heated Tapered Nozzle

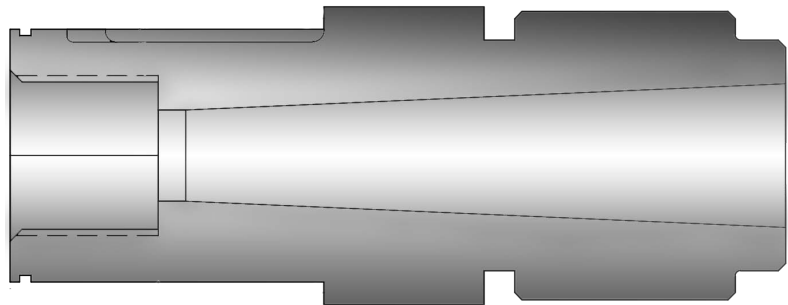
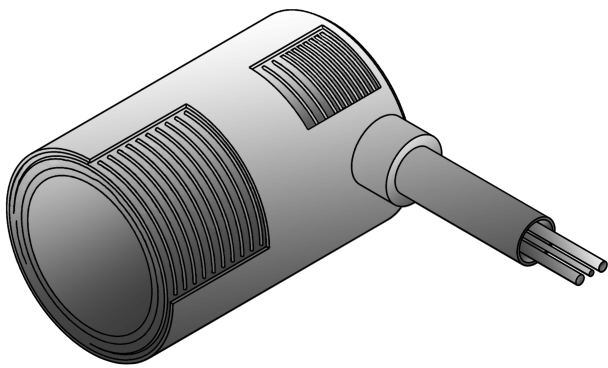


Maximum Heat Transfer and Uniformity

- Swaged stainless steel construction
- Precision wound, high-surface area heating element wire
- Replaceable thermocouple
- Maximum pack density of the internal ceramic
- Long lasting

Superior Nozzle Body Design

- Premium quality hardened PM stainless tool steel
- Continuous taper ID
- Self-cleaning for more rapid color changes
- Ideal for polycarbonate (minimizes specks and streaking)
- Alleviates sulphidation with sulfone family of resins (20% chromium content)
- Ideal for Halogen Free Fire Retardants (HFFR)



 **ZEIGER**
Industries

 Spark
Industries

 **PLASTEC**
U.S.A.

www.plastecusa.com